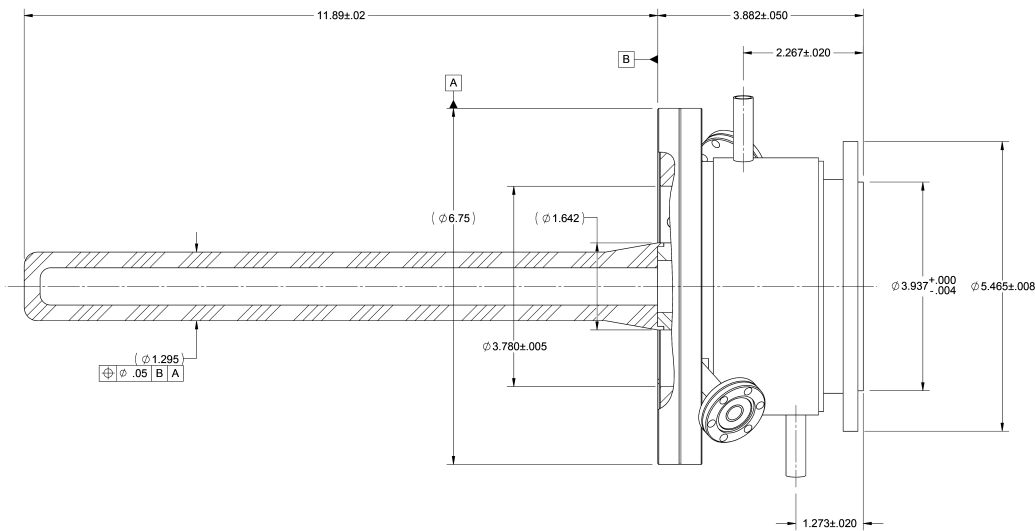
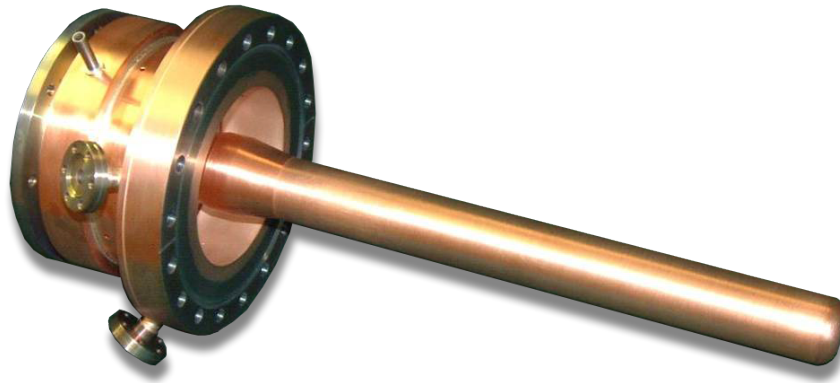


CPI Electron Device Business - Power Coupler Product Specification



The VWP3143 Power Coupler was designed for ORNL's upgrade to the SNS system, as a higher power variant to the original VWP1133.

FEATURES:

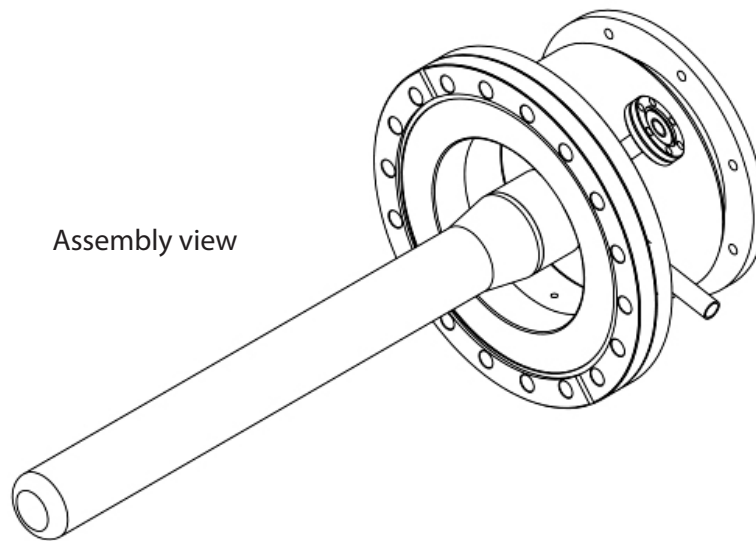
- 805 MHz
- Water cooled outer conductor
- Conductively cooled inner conductor
- Single coaxial window coupler for SCRF applications
- Capacitively coupled

CPI EDB 805 MHz ORNL SNS Power Coupler product specification: VWP3143

Electrical Parameters

Operating frequency	805 MHz
Maximum CW power:	700 kW CW peak 65 kW average
Vacuum leak rate	$< 10^{-10}$ mbar.L/s
Assembly sealing type	Conflat gasket
Cold assembly outer conductor diameter	3.780 Inches
Water cooling	Outer conductor

Product can be cleaned in CPI' EDBs class 10 clean room after fabrication for an additional charge. If the product is not cleaned in CPI EDB's class 10 clean room, it will need to be done by the customer before the product is conditioned.



**Beverly Microwave
Division**
150 Sohler Road
Beverly, Massachusetts
USA 01915

tel +1 978-922-6000
email ElectronDevices@cpiedb.com
fax +1 978-922-8914
web www.cpi-edb.com

For more detailed information, please refer to the corresponding CPI EDB technical description if one has been published, or contact CPI EDB. Specifications may change without notice as a result of additional data or product refinement. Please contact CPI EDB before using this information for system design.

©2024 CPI Electron Device Business. Company proprietary: use and reproduction is strictly prohibited without written authorization from CPI EDB.